

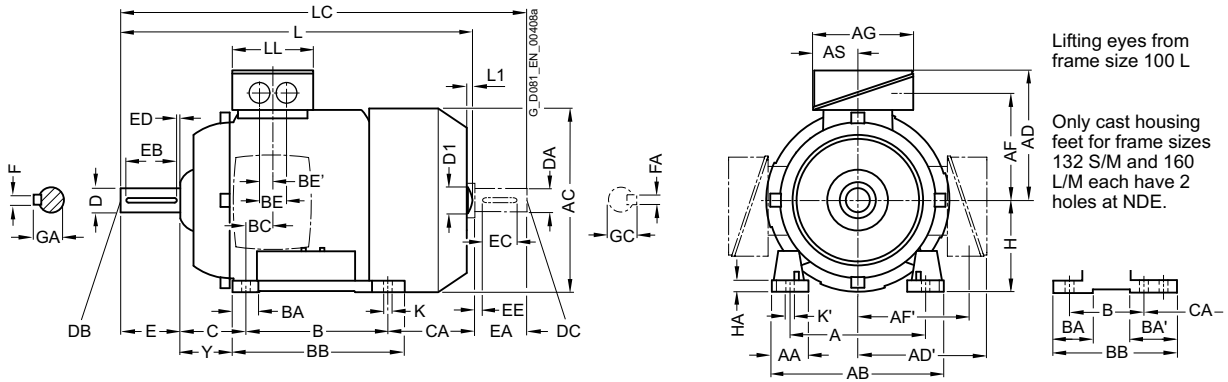
Dimensions

SIMOTICS GP 1LE1 standard motors

Aluminum series, self-ventilated – IE4 · Frame sizes 100 L to 160 L

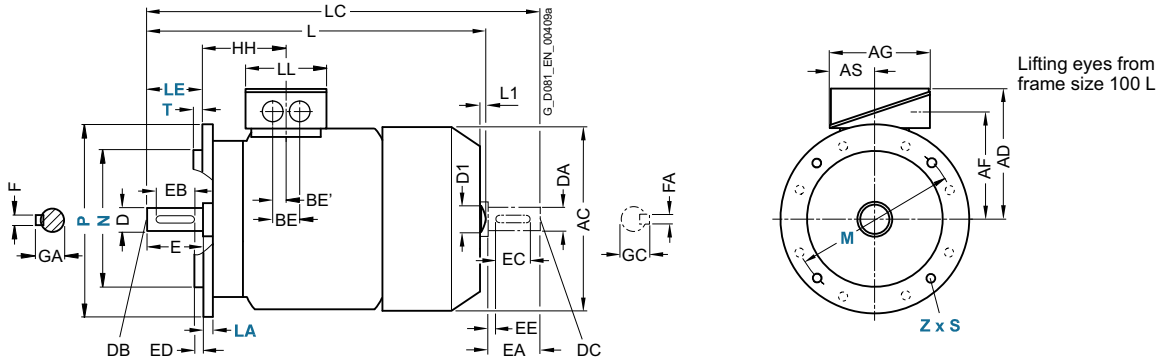
Dimensional drawings

Type of construction IM B3



Types of construction IM B5 and IM V1

For flange dimensions, see page 1/53 (Z = the number of retaining holes)



For motor			Dimension designation acc. to IEC																					
Frame size	Motor type	No. of poles	A	AA	AB	AC	AD	AD'	AF	AF'	AG	AS	B	BA	BA'	BB	BC	BE	BE'	C	CA	H	HA	Y
100 L	1AA4	2	160	42	196	198	166	166	125.5	125.5	135	63.5	140	37.5	37.5	176	33.5	50	25	63	176	100	12	45
	1AB4	4																						
	1AB5	4																						
112 M	1BA2	2	190	46	226	222	177	177	136.5	136.5	135	63.5	140	37.5	37.5	176	26	50	25	70	155	112	12	52
	1BB2	4																						
132 S	1CA0	2	216	53	256	262	202	202	159.5	159.5	155	70.5	140	38	76 ¹⁾	218 ²⁾	26.5	48	24	89	128.5	132	15	69
	1CA1	2																			178.5			
	1CB0	4																						
132 M	1CB2	4	216	53	256	262	202	202	159.5	159.5	155	70.5	178	38	76	218	26.5	48	24	89	178.5	132	15	69
160 M	1DA2	2	254	60	300	314	236.5	236.5	190	190	175	77.5	210	44	89 ³⁾	300 ⁴⁾	47	57	28.5	108	148 ⁵⁾	160	18	85
	1DA3	2																						
	1DB2	4																						
160 L	1DA4	2	254	60	300	314	236.5	236.5	190	190	175	77.5	254	44	89	300	47	57	28.5	108	208	160	18	85
	1DB4	4																						

1) With screwed-on feet, dimension BA' is 38 mm.
 2) With screwed-on feet, dimension BB is 180 mm.
 3) With screwed-on feet, dimension BA' is 44 mm.

4) With screwed-on feet, dimension BB is 256 mm.
 5) With screwed-on feet, dimension CA is 192 mm.

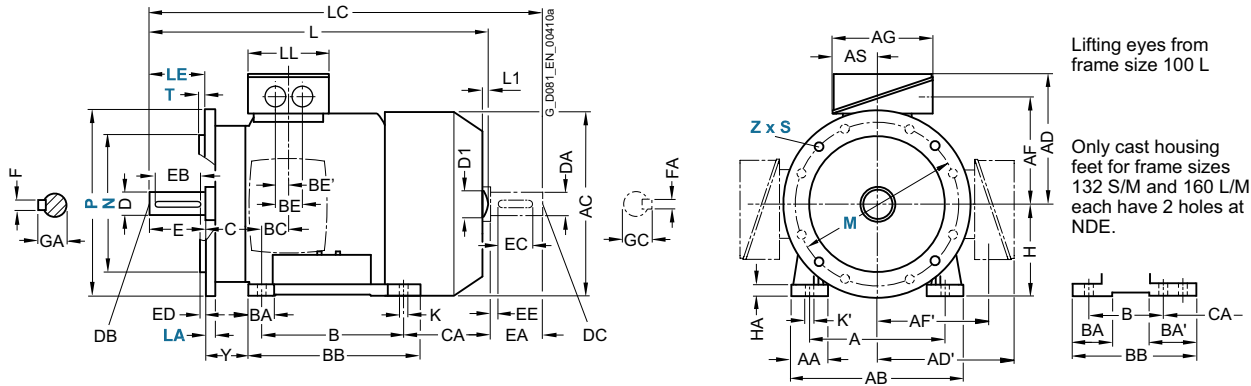
Dimensions SIMOTICS GP 1LE1 standard motors

Aluminum series, self-ventilated – IE4 · Frame sizes 100 L to 160 L

Dimensional drawings (continued)

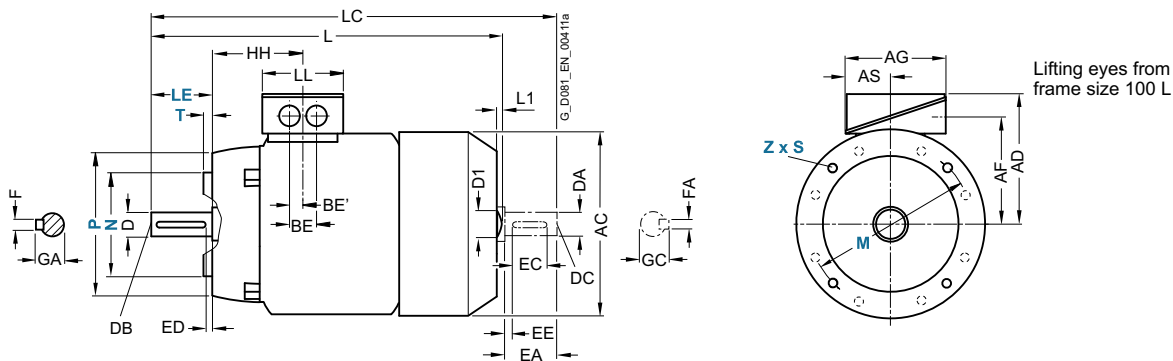
Type of construction IM B35

For flange dimensions, see page 1/53 (**Z** = the number of retaining holes)



Type of construction IM B14

For flange dimensions, see page 1/53 (**Z** = the number of retaining holes)



For motor Frame size	Motor type 1LE1004-	No. of poles	Dimension designation acc. to IEC								DE shaft extension						NDE shaft extension							
			HH	K	K'	L ¹⁾	L1	D1	LC	LL	D	DB	E	EB	ED	F	GA	DA	DC	EA	EC	EE	FA	GC
100 L	1AA4	2	96.5	12	16	430.5	7	32	489	112	28	M10	60	50	5	8	31	24	M8	50	40	5	8	27
	1AB4	4																						
	1AB5	4				480.5			529															
112 M	1BA2	2	96	12	16	414	7	32	475	112	28	M10	60	50	5	8	31	24	M8	50	40	5	8	27
	1BB2	4				464			520															
132 S	1CA0	2	115.5	12	16	465	8.5	39	535.5	130	38	M12	80	70	5	10	41	28	M10	60	50	5	8	31
	1CA1	2				515			585.5															
	1CB0	4																						
132 M	1CB2	4	115.5	12	16	515	8.5	39	585.5	130	38	M12	80	70	5	10	41	28	M10	60	50	5	8	31
160 M	1DA2	2	155	15	19	604	10	45	730	145	42	M16	110	90	10	12	45	42	M16	110	90	10	12	45
	1DA3	2				664																		
	1DB2	4																						
160 L	1DA4	2	155	15	19	664	10	45	790	145	42	M16	110	90	10	12	45	42	M16	110	90	10	12	45
	1DB4	4																						

¹⁾ The length is specified as far as the tip of the fan cover.